

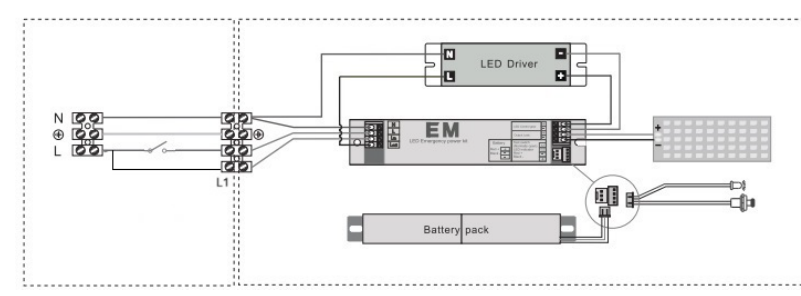
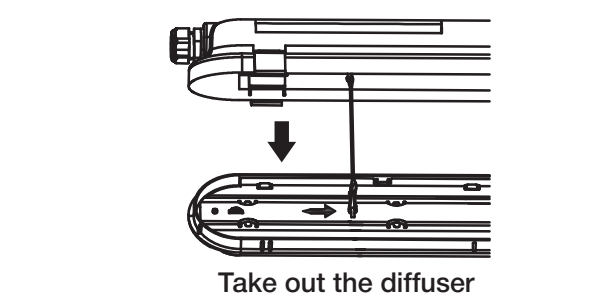
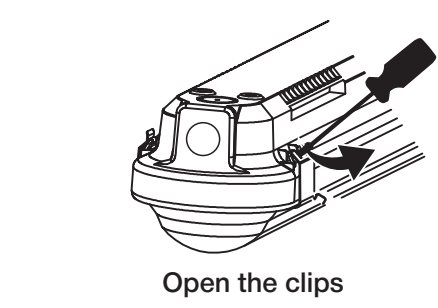
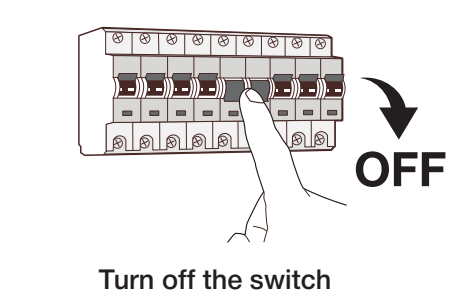
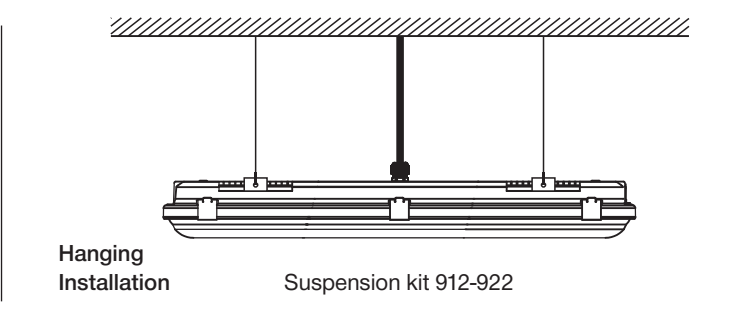
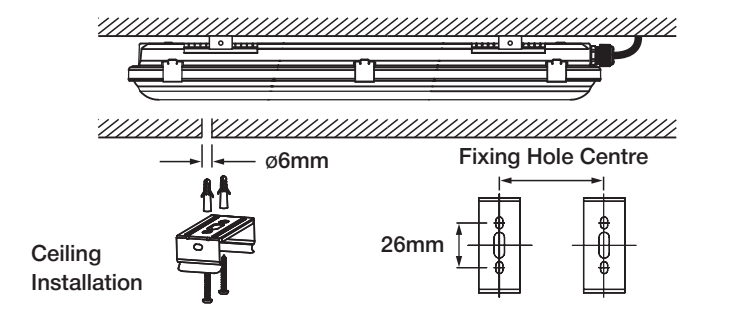
⚠ Safety Notice:

- ① Electrical installation should be done by registered electrician.
- ② Disconnect the luminaire from supply and until luminaire is cooled down, before replacement of the driver.
- ③ Never touch the lamp while luminaire is switched on.
- ④ In any case of malfunction disconnect luminaire from supply immediately, don't try to repair the luminaire yourself, repair should only be done by registered electrician or official service agent.

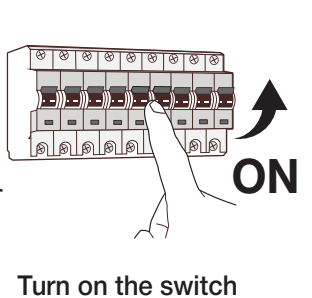
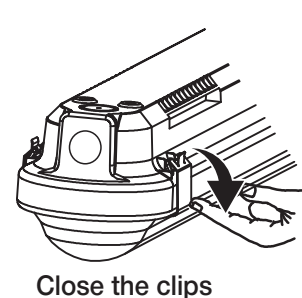
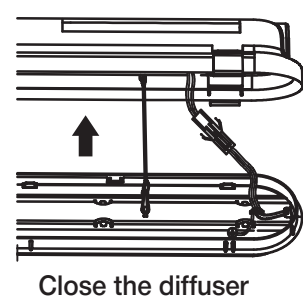
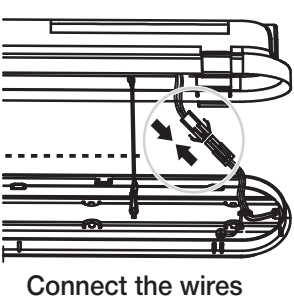
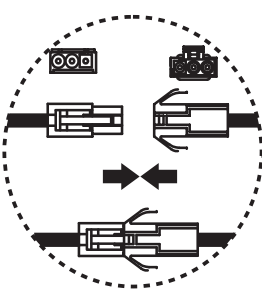
Include

Not Include

For Codes
 951-057, 951-058, 951-059
 951-060, 951-061, 951-062



DRIVER POWER SETTINGS				
Pin 1	Pin 2	951-057 951-060	951-063 951-065	951-064 951-066
ON	ON	11W	20W	28W
ON	OFF	13W	25W	35W
OFF	ON	15W	30W	42W
OFF	OFF	18W	36W	50W



TCF: INT1301 Greece/Europe

